

1.9L Thermal Carafe (1pk)

Height: 7.3" Width: 6.6" Depth: 9.2"
(18.5cm) (16.8cm) (23.4cm)

- Holds 64oz (1.9L) of coffee or other hot beverages
- Unbreakable stainless steel interior and exterior
- Vacuum insulation keeps beverages hot for hours
- Brew through lid allows for direct brewing
- Fits on BUNN Thermal Carafe and Twin Thermal Carafe brewers



Agency:



Specifications

Product #: 51746.0001

Finish: Stainless/Black

Handle: Black

Liner: Stainless Steel

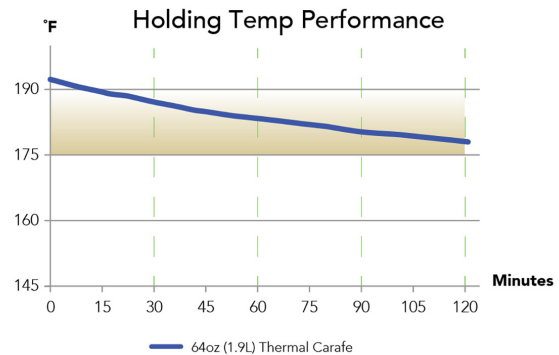
Additional Features

Brew-Through Lid

Seamless Design

Holding Capacity

English	Metric
64 oz.	1.9 L



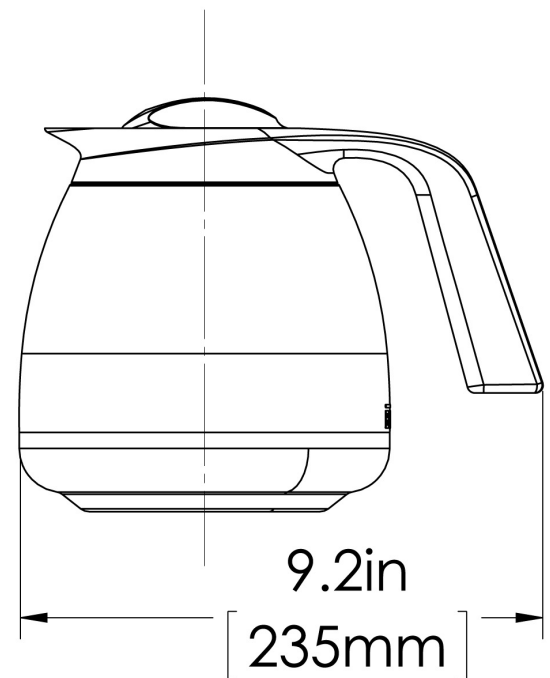
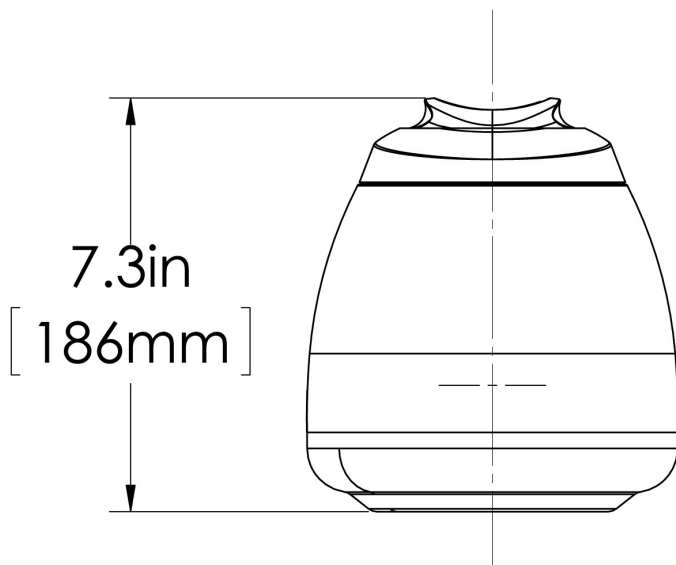
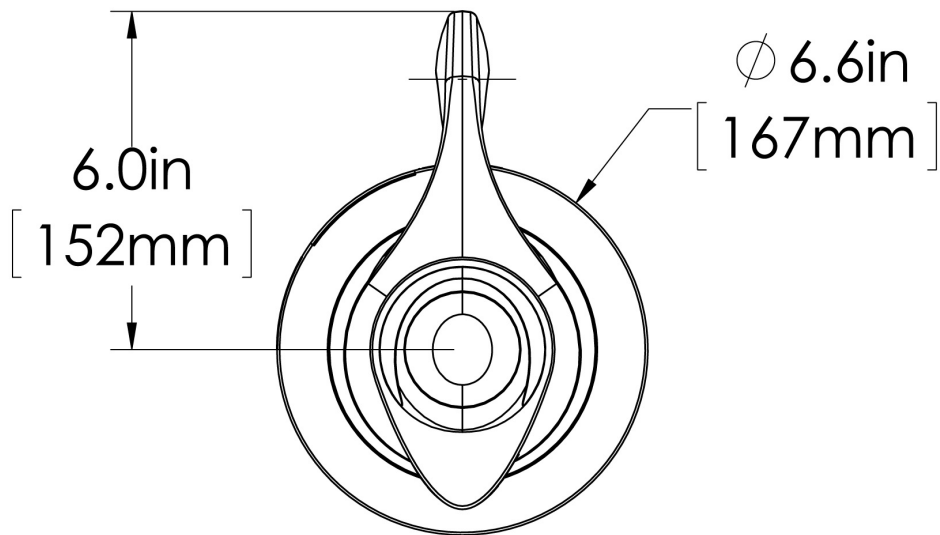
Footnote: - Brewer tank temperature set at 205° F
- Servers not preheated (preheating may increase temperature up to 5° F)
- 64oz (1.9L) of coffee brewed
- Temperature recorded in server

WARNING:



BUNN® reserves the right to change specifications and product design without notice. Such revisions do not entitle the buyer to corresponding changes, improvements, additions or replacements for previously purchased equipment. For most current specifications and other info visit bunn.com.

Last Updated:
07/02/2026



	Unit			Shipping				
	Height	Width	Depth	Height	Width	Depth	Weight	Volume
English	7.3 in.	6.6 in.	9.2 in.	7.6 in.	6.8 in.	8.0 in.	2.240 lbs	0.236 ft ³
Metric	18.5 cm	16.8 cm	23.4 cm	19.2 cm	17.1 cm	20.3 cm	1.016 kgs	0.007 m ³



BUNN® reserves the right to change specifications and product design without notice. Such revisions do not entitle the buyer to corresponding changes, improvements, additions or replacements for previously purchased equipment. For most current specifications and other info visit bunn.com.

Last Updated:
07/02/2026

Related Products & Accessories: 1.9L Thermal Carafe (1pk)(51746.0001)

<p>LID, SEAMLESS THERMAL CARAFE BLK</p> <hr/> <p>Product #: 52547.0000¹</p>	<p>LID, SEAMLESS THERMAL CARAFE ORN</p> <hr/> <p>Product #: 52547.0001¹</p>
--	--

¹NSF Certified ²NSF Certified with spec sheet model listed ³NSF Certified under Solventum Purification ⁴NSF Certified under Vivreau Ltd ⁵NSF Certified under Zojirushi ⁶NSF Certified under Qins Inc ⁷NSF COMPONENT Certified



BUNN® reserves the right to change specifications and product design without notice. Such revisions do not entitle the buyer to corresponding changes, improvements, additions or replacements for previously purchased equipment. For most current specifications and other info visit bunn.com.

Last Updated:
07/02/2026

Model Compatibility: 1.9L Thermal Carafe (1pk)(51746.0001)



CWTF15-TC, PF

Product #: 12950.0360¹



CWTF TWIN-TC, 120/240V
SF

Product #: 23400.0047¹



AXIOM-DV-TC, PF SST
HOUSING

Product #: 38700.0011¹

WAVE15-APS, LP PF

Product #: 39900.0000

¹NSF Certified ²NSF Certified with spec sheet model listed ³NSF Certified under Solventum Purification ⁴NSF Certified under Vivreau Ltd ⁵NSF Certified under Zojirushi ⁶NSF Certified under Qins Inc ⁷NSF COMPONENT Certified



BUNN® reserves the right to change specifications and product design without notice. Such revisions do not entitle the buyer to corresponding changes, improvements, additions or replacements for previously purchased equipment. For most current specifications and other info visit bunn.com.

Last Updated:
07/02/2026