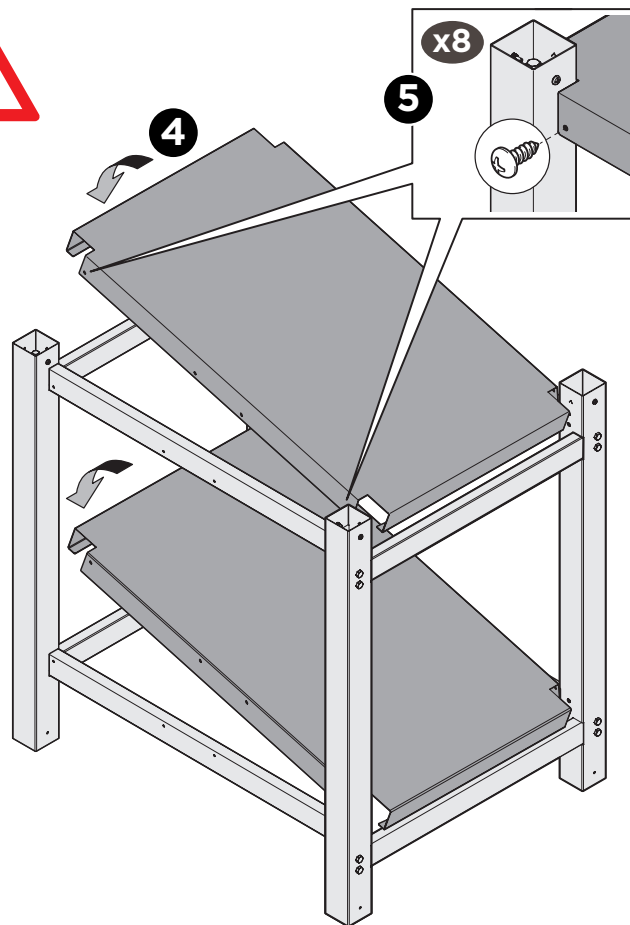
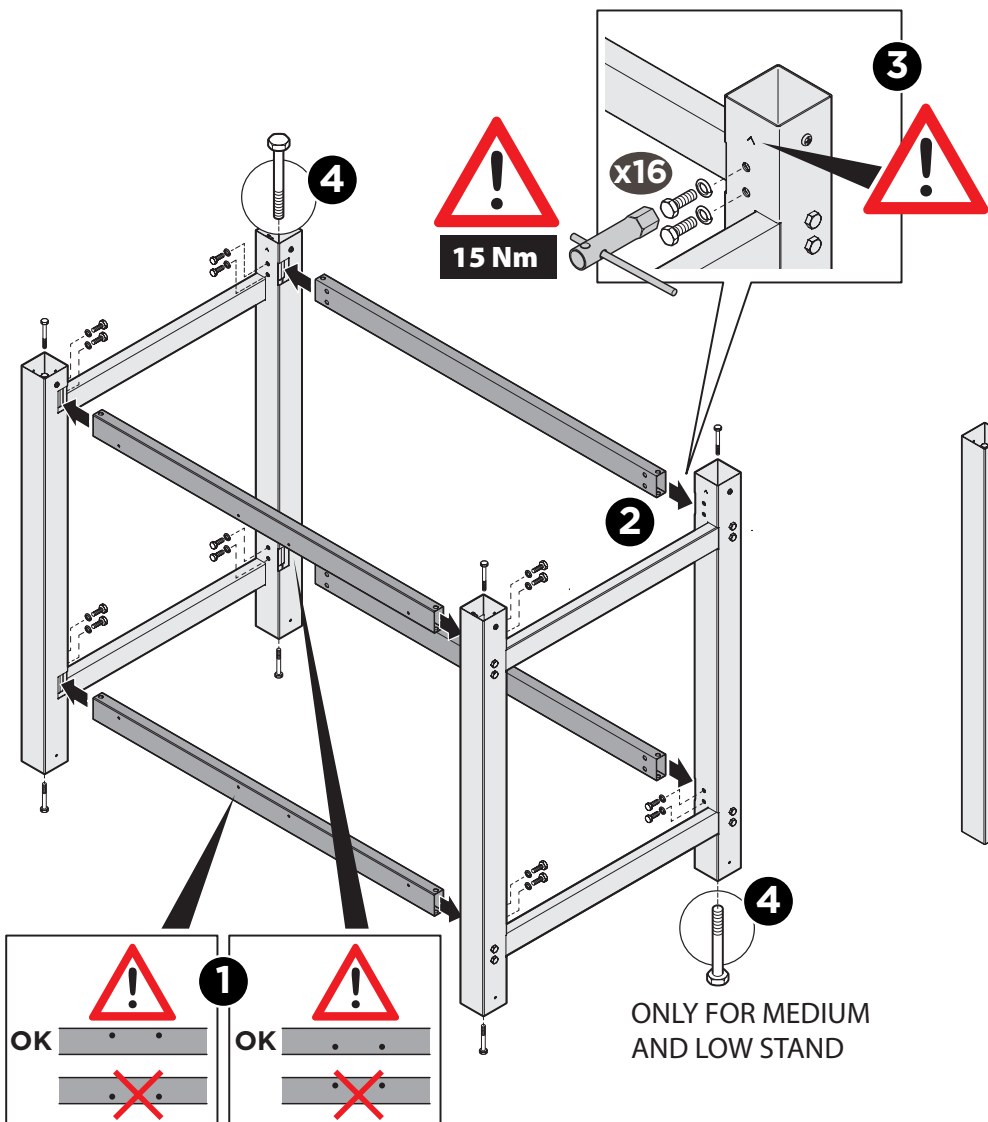




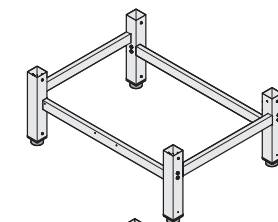
XWVRC-0721-H
XWVRC-0021-M
XWVRC-0021-L
XWARC-07EF-UH
XWVRC-0711-UH

XWARC-07EF-H
XWARC-00EF-M
XWARC-00EF-L

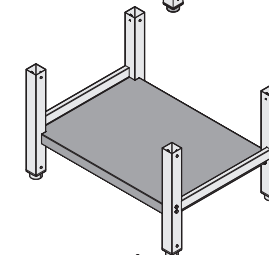
XWVRC-0711-H
XWVRC-0011-M
XWVRC-0011-L



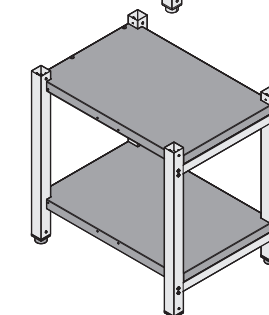
XWARC-07EF-H	Stand High for EU and FS
XWARC-00EF-M	Stand Medium for EU and FS
XWARC-00EF-L	Stand Low for EU and FS
XWVRC-0711-H	Stand High for GN 1/1
XWVRC-0011-M	Stand Medium for GN 1/1
XWVRC-0011-L	Stand Low for GN 1/1
XWVRC-0721-H	Stand High for GN 2/1
XWVRC-0021-M	Stand Medium for GN 2/1
XWVRC-0021-L	Stand Low for GN 2/1



Stand Low



Stand Medium



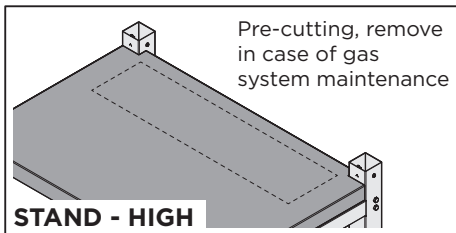
Stand High
Stand UH



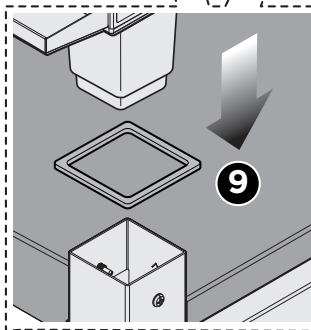
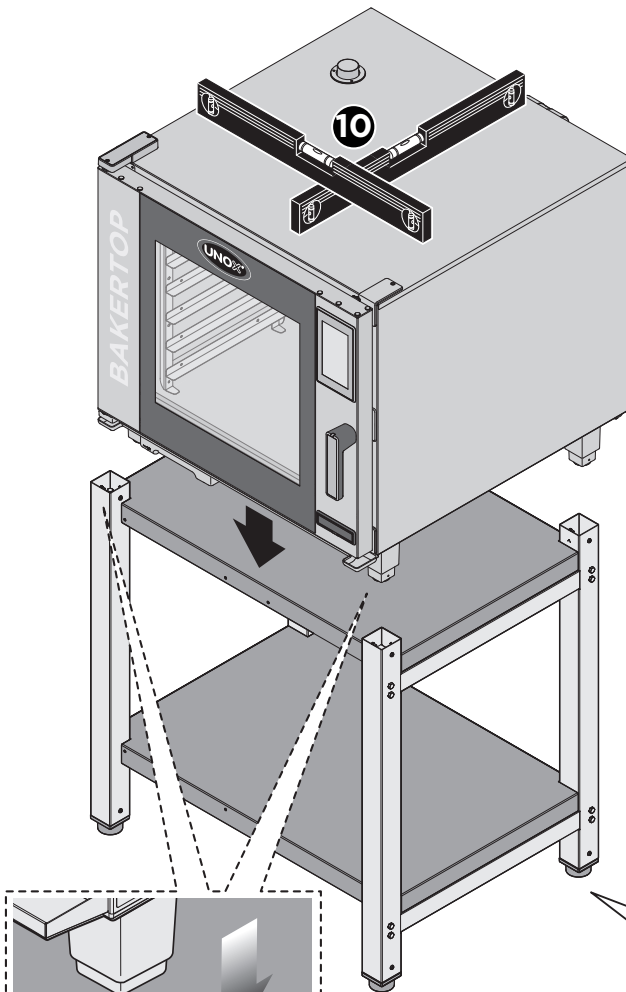
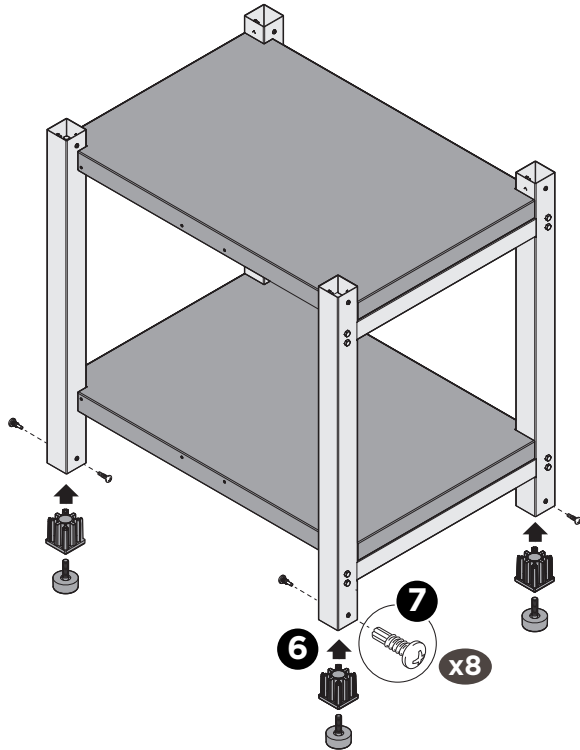
XWVRC-0721-H
XWVRC-0021-M
XWVRC-0021-L
XWARC-07EF-UH
XWVRC-0711-UH

XWARC-07EF-H
XWARC-00EF-M
XWARC-00EF-L

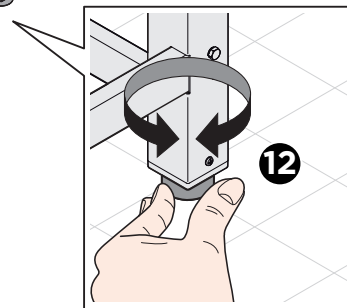
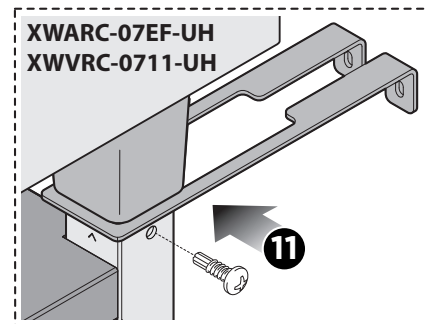
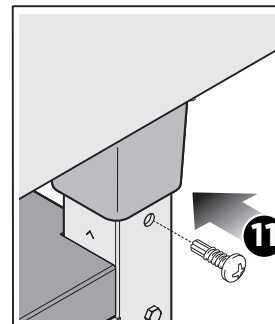
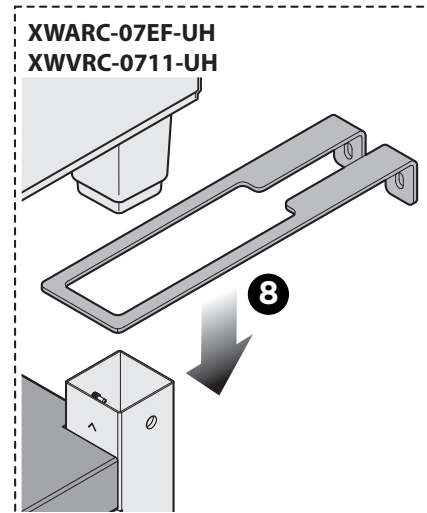
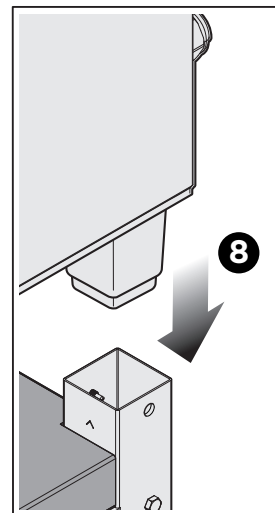
XWVRC-0711-H
XWVRC-0011-M
XWVRC-0011-L



STAND - HIGH



XWARC-07EF-UH
XWVRC-0711-UH

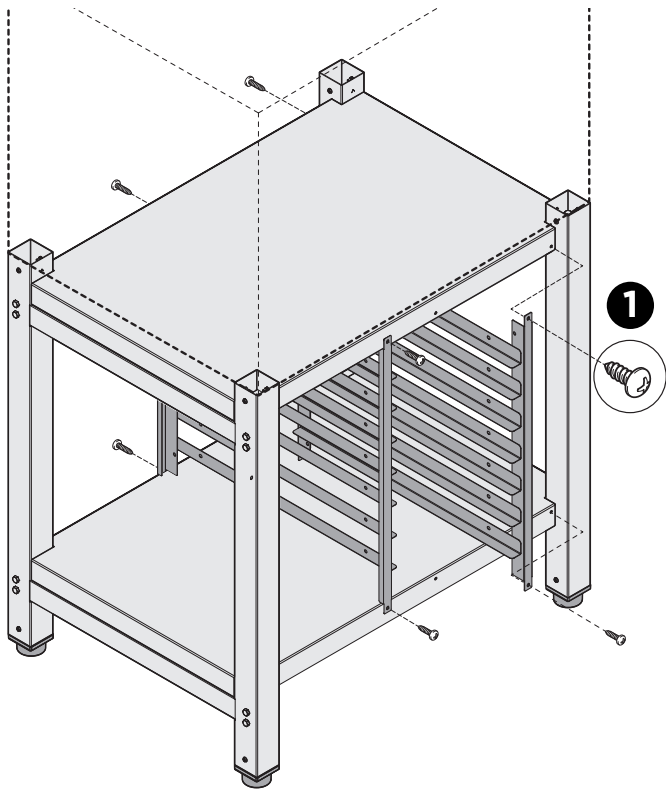




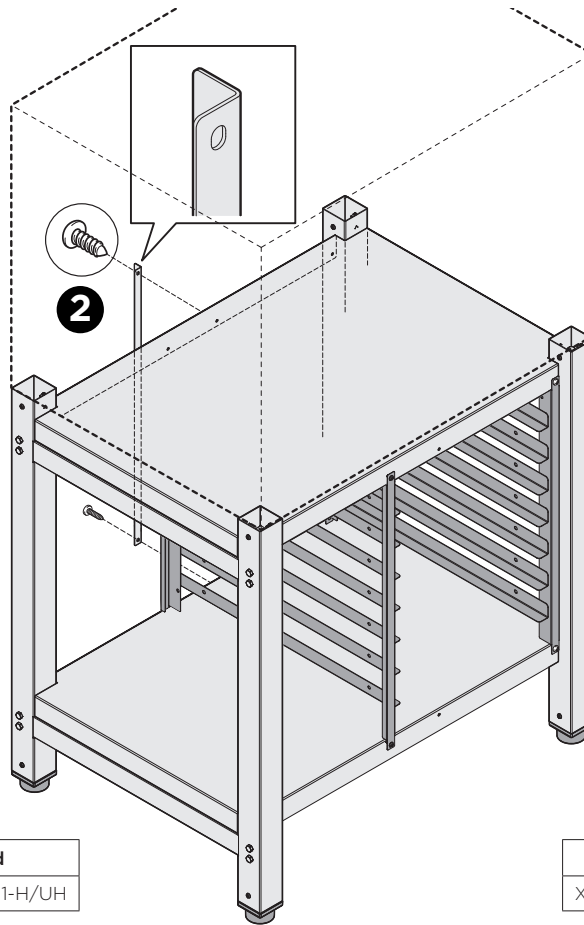
XWVRC-0721-H
 XWVRC-0021-M
 XWVRC-0021-L
 XWARC-07EF-UH
 XWVRC-0711-UH

XWARC-07EF-H
 XWARC-00EF-M
 XWARC-00EF-L

XWVRC-0711-H
 XWVRC-0011-M
 XWVRC-0011-L



1



2

Stand
 XWVRC-0721-H

Stand
 XWVRC-0711-H/UH

Stand
 XWARC-07EF-H/UH

